

Willoughby Stainless Fountains



WODF-3 Series Outdoor Drinking Fountain

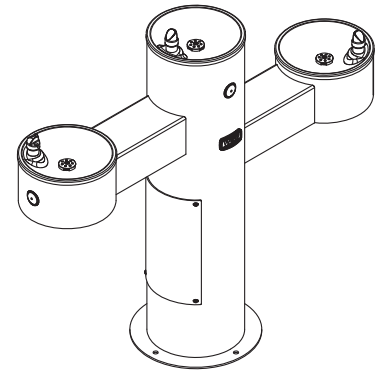
Recommended Specifications

Willoughby Model **WODF-3** outdoor drinking fountain is a triple-level, vandal resistant drinking fountain with Type 304 stainless steel 10" Schedule-10 main column and 7 GA. flange.

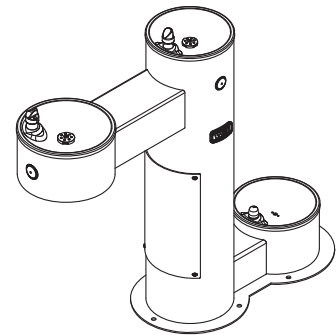
Fountain shall have high-polished, 18 GA. stainless steel bowls with anti-rotation, anti-squirt, solid stainless steel bubblers. Bubblers shall be activated by pedestal mounted solid stainless steel push button assemblies, which control lead-free, self-closing valves.

Push buttons shall require less than 5 lbs. of force to operate. Push buttons shall be adjustable to ensure adequate flow without being wasteful. **WODF-3** fountain shall be lead-free, adhering to ANSI/NSF 61, Section 9, ANSIA117.1. Fixtures in (HC) and (CHD) configurations shall meet American Disabilities Act of 2010 (ADA) compliance requirements.

Optional mounting kit available for purchase consisting of stainless steel anchors, nuts, washers and rubber gasket washers. If optional kit is not used, stainless steel hardware recommended.



WODF-3-HC-CHD



WODF-3-HC-PET

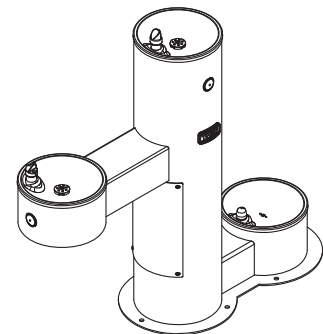
Standard Features

- * Adult ADA and Child (JR.) ADA compliant fixture configurations available
- * Heavy duty Type 304 stainless steel 10" Schedule-10 main column and 7 GA. flange
- * Optional marine-grade Type 316 stainless steel body for installations near salt water
- * High polished stainless steel bowls
- * Solid stainless steel, anti-rotation bubblers
- * Serviceable mesh strainer on inlet water supply
- * Heavy-duty main column access panel
- * Resistant to sunlight, heat and vandalism
- * Stainless steel adjustable push buttons
- * Powder coat finish (color options on page 2)

To specify fixture and color, use the Model Number and Options Guide.

Example: To specify a WODF-3 outdoor drinking fountain with Adult ADA and Child-height (JR. ADA) bowls, in Red color

Use the following Willoughby Model Number: **WODF-3-HC-CHD-R**



WODF-3-CHD-PET



WARNING: Cancer and Reproductive Harm

- www.P65Warnings.ca.gov

visit our website at www.willoughbystainlessfountains.com

5105 West 78th Street • Indianapolis, IN. 46268
(317) 875-0830 • Fax: (317) 875-0837 • (800) 428-4065



MADE IN THE U.S.A.

MODEL NUMBER AND OPTIONS:

1.) Outdoor Drinking Fountain Type:

WODF-3 Three-bowl Outdoor Drinking Fountain

2.) Bowl Height (other than main column bowl, select two):

HC Adult ADA Compliant
 CHD Child (JR. ADA Compliant)
 PET Pet

3.) Options:

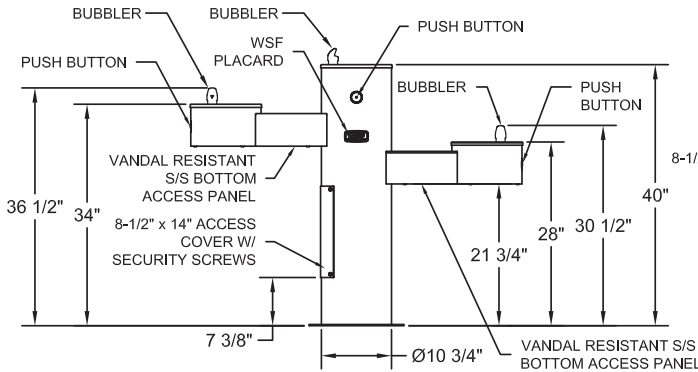
316-3 316 Stainless Steel Body, Triple
 CAR-1 Surface Carrier, Single
 CAR-2 Surface Carrier, Double
 SOV Shut Off Valve
 SCV Seasonal Bowl Covers (3)
 JF Jug Filler
 HBE Hose Bibb Exposed
 HBLD Recessed Hose Bibb W/Lock Door
 FW Foot Wash
 WSFMK4 4 Bolt Hole Mounting Kit
 WSFMK6 6 Bolt Hole Mounting Kit

4.) Colors (select one):

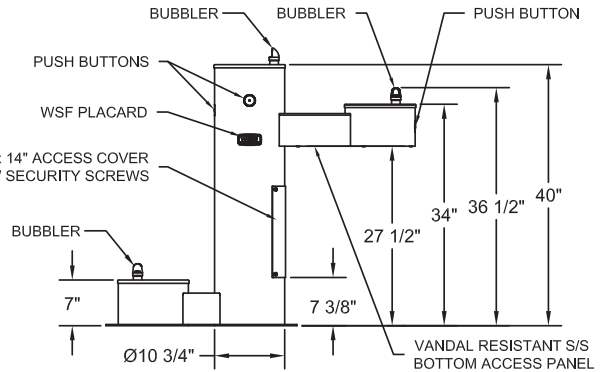
SL Silver
 G Green
 R Red
 BL Blue
 O Orange
 V Violet
 Y Yellow
 BR Brown
 BK Black
 BE Beige
 W White

Approved For Manufacturing By: _____ Date: _____ Company: _____
 Wall Thickness: _____ Wall Type: _____

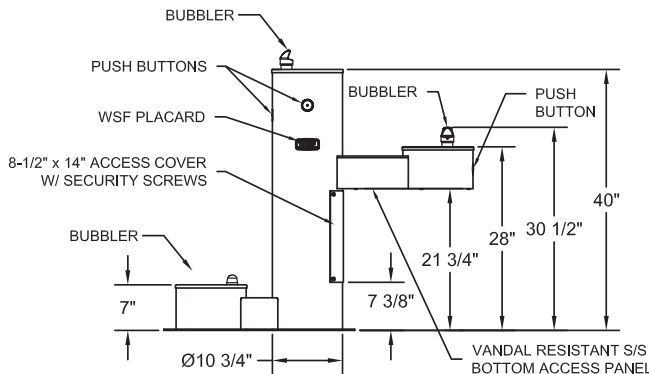
VERIFY ALL DIMENSIONS WITH FACTORY PRIOR TO ROUGH-IN
 WILLOUGHBY RESERVES THE RIGHT TO MAKE CHANGES IN DESIGN AND DIMENSIONS WITHOUT FORMAL NOTICE AND WITHOUT INCURRING OBLIGATION.



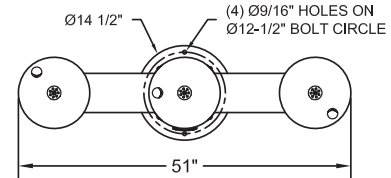
WODF-3-HC-CHD



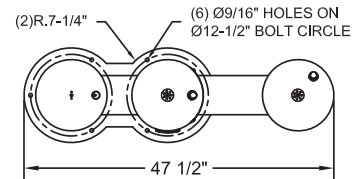
WODF-3-HC-PET



WODF-3-CHD-PET



WODF-3-HC-CHD



WODF-3-HC-PET &
WODF-3-CHD-PET

visit our website at www.wiloughbystainlessfountains.com

5105 West 78th Street • Indianapolis, IN. 46268

(317) 875-0830 • Fax: (317) 875-0837 • (800) 428-4065



MADE IN THE U.S.A.