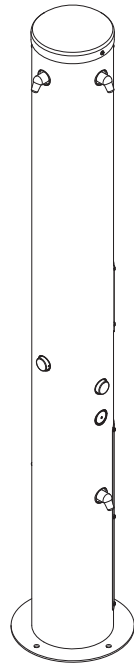


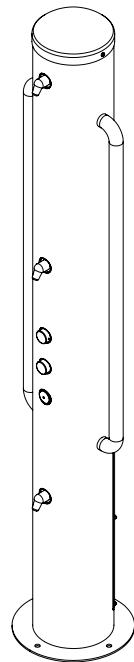
# Installation & Operation Manual

## WODS & WODS-ADA Series

### Outdoor Shower



**WODS**



**WODS-ADA**

#### Table of Contents

Pre-Installation Information.....	3
Physical / Rough-in Dimensions.....	4
Required Installation Supplies .....	7
Hardware Identification .....	8
Parts List and Exploded-view Drawings.....	9
Installation Instructions .....	11
Care and Maintenance .....	12
Troubleshooting .....	13
Drawings.....	
Pushbutton Valve Details.....	14
Warranty.....	15



#### ***Willoughby Stainless Fountains***

5105 West 78th Street

Indianapolis, IN 46268

Toll Free: (800) 428-4065

Local: (317) 875-0830

Fax: (317) 875-0837

[www.willoughbystainlessfountains.com](http://www.willoughbystainlessfountains.com)

MADE IN THE U.S.A.



***(Page intentionally left blank)***

## Pre-Installation Information

# Installation notice!

Check Rough-In location **PRIOR** to installation

Flush lines thoroughly **PRIOR** to hook-up

When installing the **Willoughby Stainless Fountains' WODS Series** outdoor shower systems:

Before Step 1 of the installation instructions, ensure that rough-ins are in the correct location.

The valve assembly, including the spray head, **MUST NOT BE** connected until *after* all lines have been flushed to remove the small particles of debris that are inherent with new construction projects and all chemicals that are used in flushing are purged from the system.

Chemicals used in flushing plumbing systems can attack the internal components of the valve and spray head and severely damage them, so any flushing of the system must be followed by a full flushing with pure water to clear any harsh chemicals remaining in the system. Debris in the system if allowed to enter the valve assembly and spray head can cause poor performance or outright failure.

Again **DO NOT** attempt to connect the valve assembly and spray head until *after* all flushing is complete and pure water is the only media that will be passing through the system. Damage to the valve assembly or spray head caused by harsh chemicals or debris will not be covered by the manufacturer's warranty.

Any fittings provided by the installer should be made of plastic to electrically isolate the unit from the building or connected plumbing system.

The grounding of electric equipment such as telephones, computers, etc, to water lines is a common procedure. This grounding can cause electrical feedback into a water fountain or similar fixture, causing electrolysis, which results in a metallic taste or an increase in the metal content of the water. This can easily be avoided by using the proper materials as indicated.

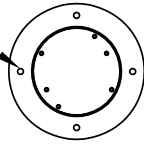
# Installation notice!

Check Rough-In location **PRIOR** to installation

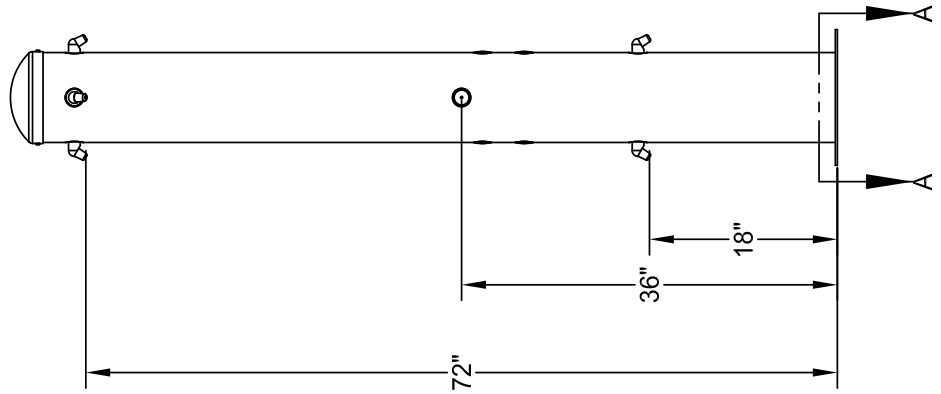
Flush lines thoroughly **PRIOR** to hook-up

# PHYSICAL DIMENSIONS- WODS

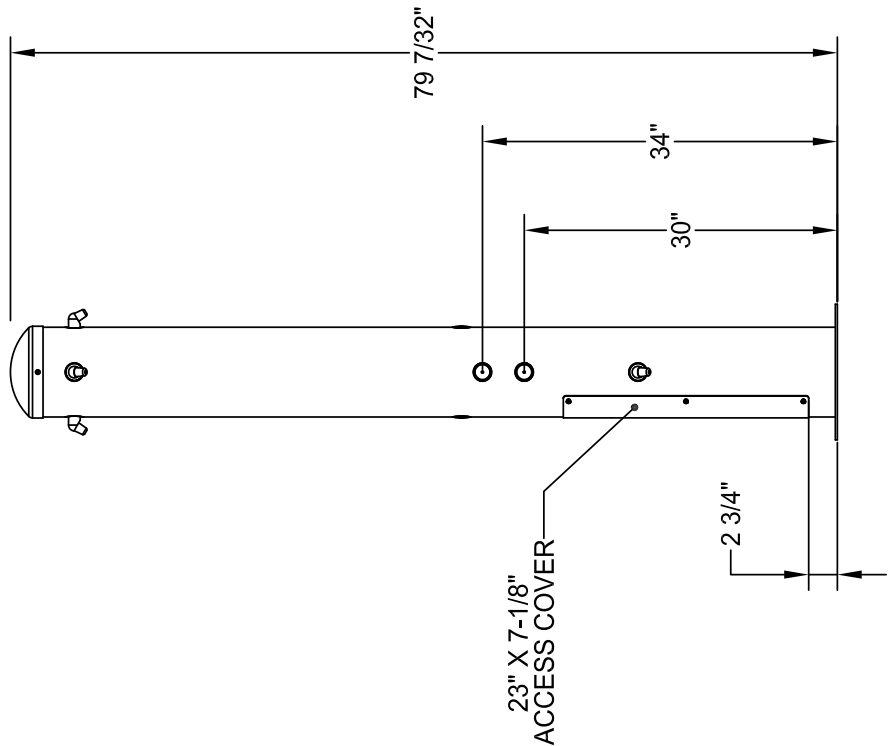
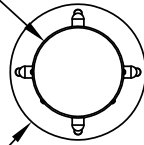
4X Ø 9/16" THRU ALL HOLES ON Ø 10 3/4" BOLT CIRCLE



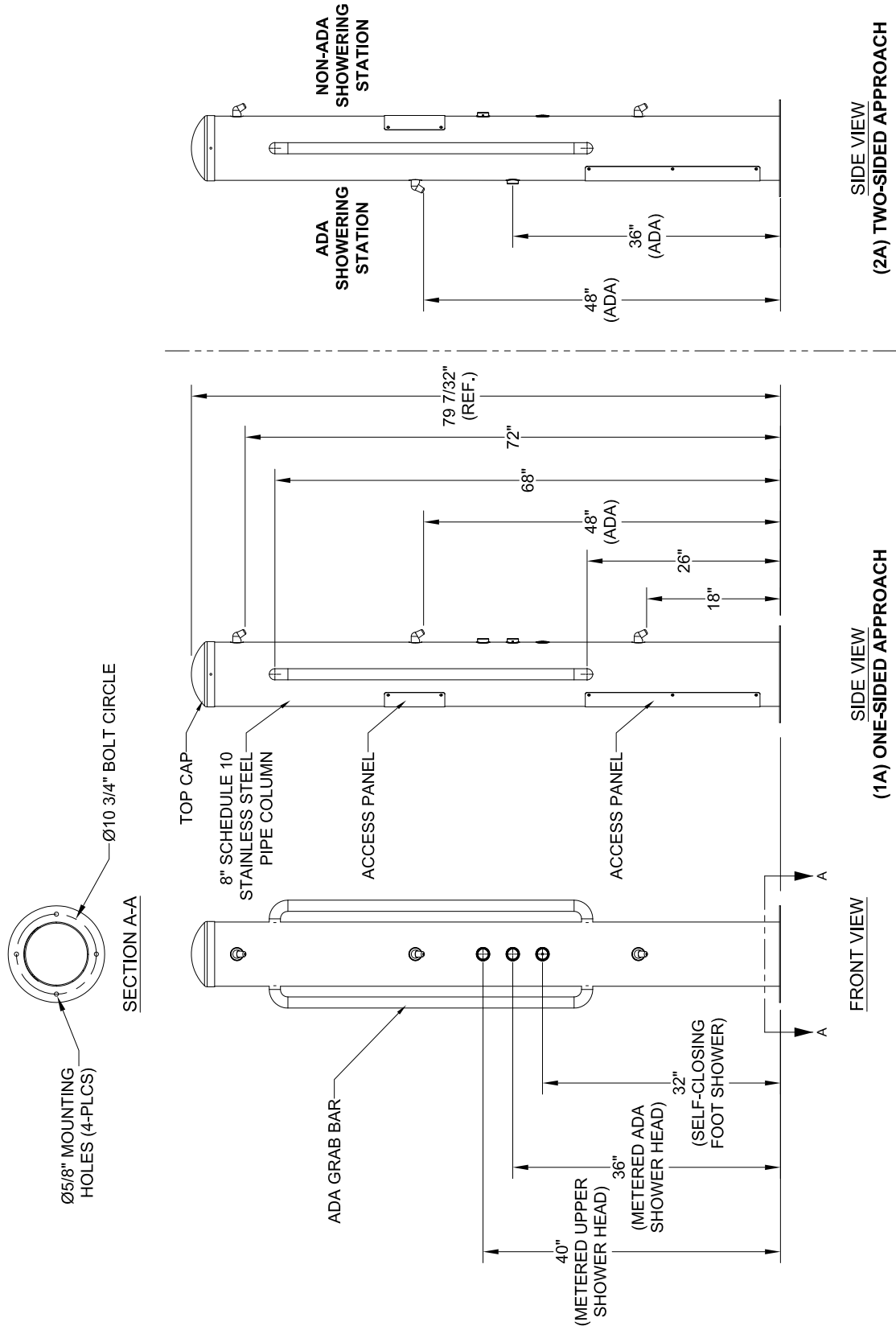
SECTION A-A



Ø13"      Ø8 5/8"



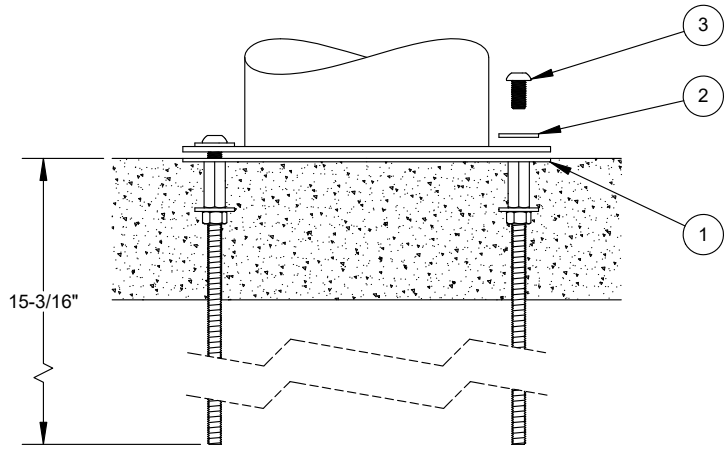
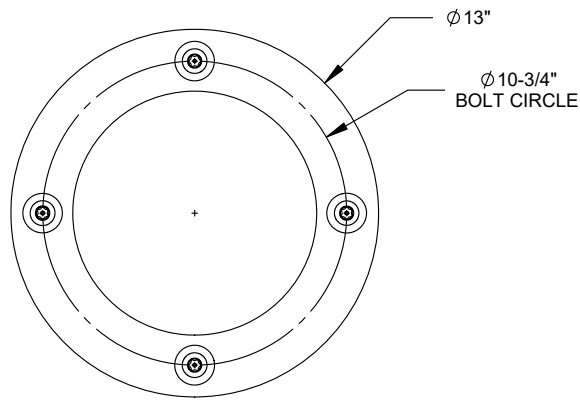
# PHYSICAL DIMENSIONS- WODS-ADA



# ROUGH-IN DIMENSIONS- WODS-Series

**NOTES:** 1) Rough-in Detail shows Shower Column installed to the optional (CAR-ODS) Surface Mount Carrier. For installations not using a Carrier, refer to this rough-in detail for fixture measurements and use appropriate 1/2"-13 x 4"(min.) stainless steel anchors to install shower Column (anchors provided by others).

2) Locate water supplies within the open area within the Column.



TYPICAL INSTALLATION

ITEM #	PART #	DESCRIPTION	QTY.
1	S200215	8" SURFACE MOUNT - FOR CWBF-1/WODS MODELS	1
2	Washer	WASHER, 1/2" SS	4
3	4514SSN	1/2-13 X 1.0" BUTTON HEAD SECURITY SCREW, S/S	4

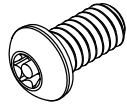
## **REQUIRED INSTALLATION SUPPLIES**

- Proper mounting hardware
- Proper plastic fittings as indicated
- Shims (for installation if necessary)
- Supply piping (as needed)
- Silicone caulk
- Plumbers putty

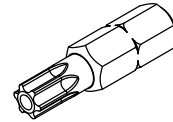
**WARNING: Willoughby Industries does not assume any responsibility for personal injury or damage to equipment due to an improperly installed WODS-Series Outdoor Shower**

# HARDWARE IDENTIFICATION

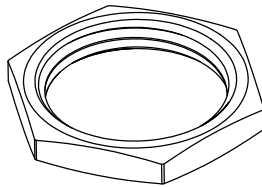
## WODS Series Hardware



1/4-20 x 1/2"  
SECURITY SCREW  
4500NSS



T27  
1/4" PINNED TORX BIT  
800115

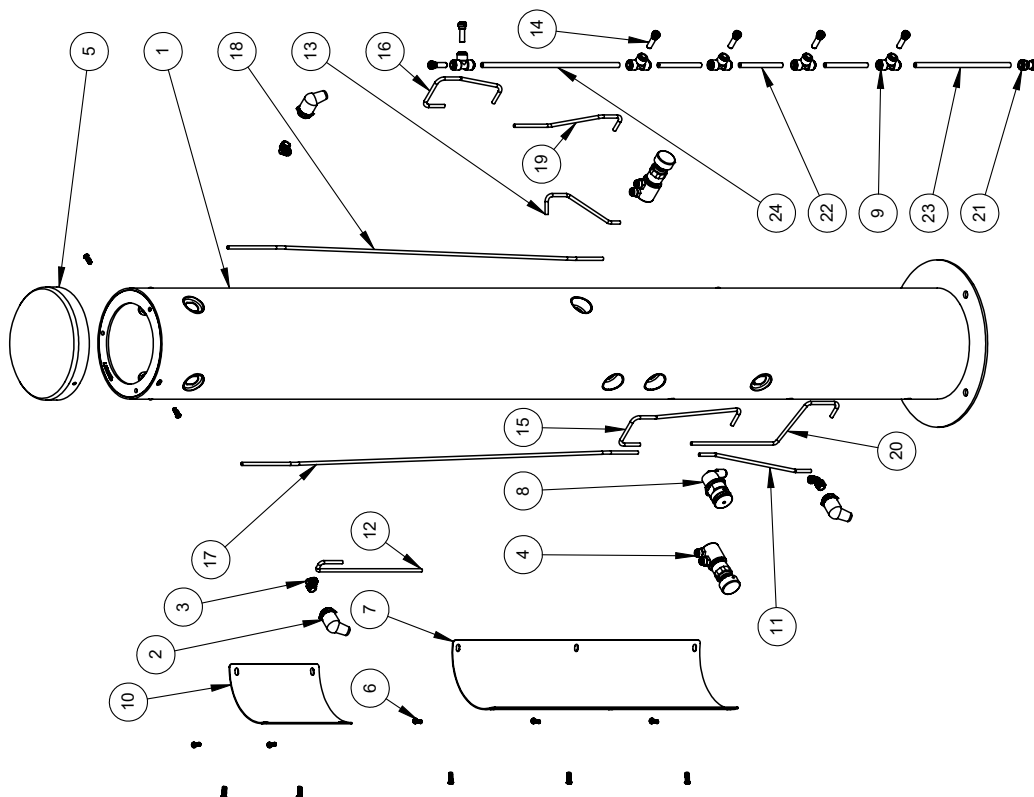


3/4" NPT  
BRASS LOCKNUT  
600612N

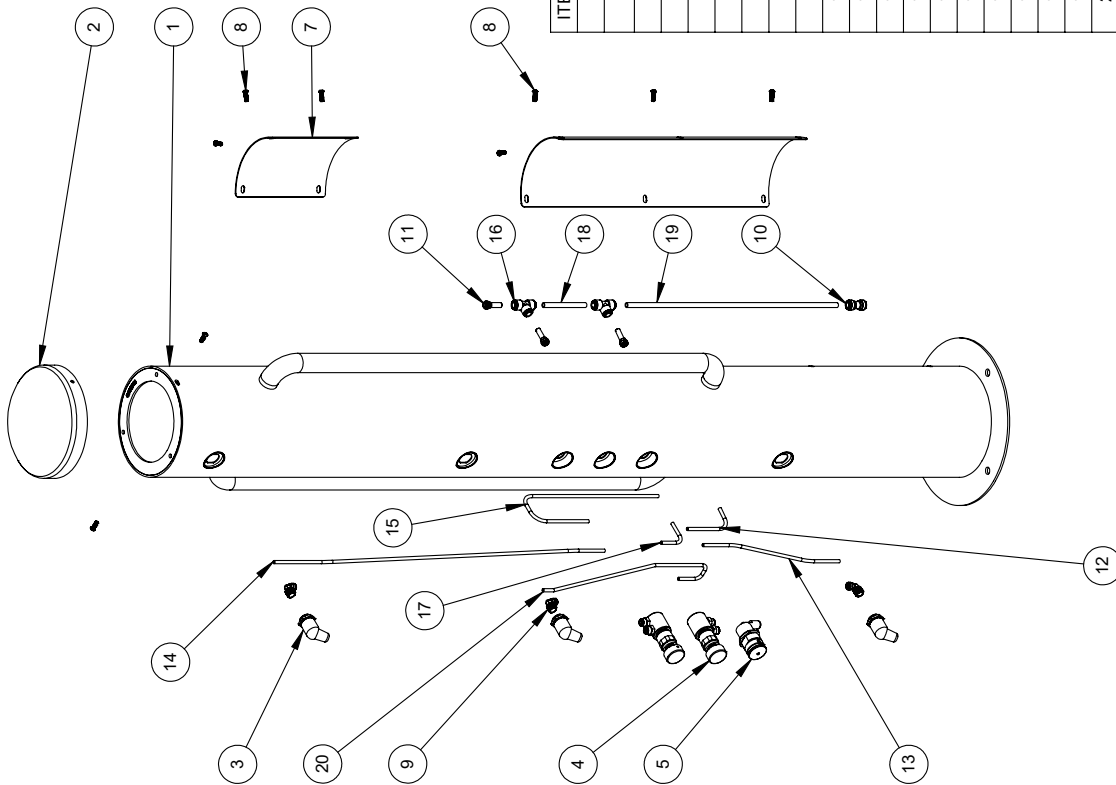


# Parts List and Exploded-view Drawing- WODS

ITEM #	PART #	DESCRIPTION	QTY.
1	S006684	COLUMN WELDMENT, WODS-4-2 T316	1
2	370098	SHOWERHEAD ASSEMBLY, NPS (WSH-7)	6
3	320575	ELBOW, 3/8" NPTF MALE X 1/4" TUBE PUSH-TO-CONNECT	6
4	600350	VALVE ASSEMBLY, WODS; METERING, PUSHBUTTON	4
5	S200233	BODY CAP, $\phi$ 8.625"	1
6	4502SSN	SCREW, 1/4-20 x 3/4 SECURITY SCREW (BH)	12
7	S005487	ACCESS COVER, WODS, T316	1
8	600315	VALVE ASSEMBLY, ADJUSTABLE PUSHBUTTON	2
9	320458	TUBE FITTING, TEE, 3/8 PRESS LOCK	5
10	S200373	ACCESS COVER FOR CWBF-1, 6.125" x 8.5", T316	1
11	600471-12	TUBING, 1/4" O.D. X 0.17" I.D. X 10" LONG	2
12	600471-13B	TUBING, 1/4" OD X .17" ID X 13" LONG	1
13	600471-9C	TUBING, 1/4" OD X .17" ID X 9" LONG	1
14	320573	REDUCER, 3/8" STEM X 1/4" TUBE	6
15	600471-18C	TUBING, 1/4" OD X .17" ID X 18" LONG	1
16	600471-13C	TUBING, 1/4" OD X .17" ID X 13" LONG	1
17	600471-42B	TUBING, 1/4" OD X .17" ID X 42" LONG	2
18	600471-40	TUBING, 1/4" OD X .17" ID X 40" LONG	2
19	600471-11B	TUBING, 1/4" OD X .17" ID X 11" LONG	1
20	600471-17B	TUBING, 1/4" OD X .17" ID X 17" LONG	1
21	320449	UNION, 3/8" X 3/8" TUBE, PUSH-IN TYPE	1
22	600523-4	TUBING, 3/8" OD X 1/4" ID X 4" LONG	3
23	600523-9B	TUBING, 3/8" OD X 1/4" ID X 9" LONG	1
24	600523-13B	TUBING, 3/8" OD X 1/4" ID X 12" LONG	1



# Parts List and Exploded-view Drawing- WODS-ADA



ITEM #	PART #	DESCRIPTION	QTY.
1	S004957-3HC1A	COLUMN WELD ASSY, WODS-2-1-H, 2 HEADS, 1 FOOT ADA (1A)	1
2	S200129	BODY CAP, $\phi$ 8.625"	1
3	370098	SHOWERHEAD ASSEMBLY, NPS (WSH-7)	3
4	600350	VALVE ASSEMBLY, WODS, METERING, PUSHBUTTON	2
5	600315	VALVE ASSEMBLY, ADJUSTABLE PUSHBUTTON	1
6	S004964	ACCESS COVER, WODS	1
7	S200141	ACCESS COVER FOR CWBF-1, 6.125" x 8.5"	1
8	4502SSN	SCREW, 1/4-20 x 3/4 SECURITY SCREW (BH)	12
9	320575	ELBOW, 3/8" NPTF MALE X 1/4" TUBE PUSH-TO-CONNECT	3
10	320449	UNION, 3/8" X 3/8" TUBE, PUSH-IN TYPE	1
11	320573	REDUCER, 3/8" STEM X 1/4" TUBE	3
12	600471-6C	TUBING 1/4"OD x .170"ID X 6" LONG	1
13	600471-14C	TUBING, 1/4" OD X .17" ID X 14" LONG	1
14	600471-32B	TUBING, 1/4" OD X .17" ID X 32" LONG	1
15	600471-22	TUBING, 1/4" O.D. X 0.17" I.D. X 22" LONG	1
16	320458	TUBE FITTING, TEE, 3/8 PRESS LOCK	2
17	600471-4	TUBING 1/4"OD x .170"ID X 4" LONG	1
18	600523-4	TUBING, 3/8" OD X 1/4" ID X 4" LONG	1
19	600523-20A	TUBING, 3/8" OD X 1/4" ID X 20" LONG	1
20	600471-17	TUBING, 1/4" O.D. X 0.17" I.D. X 17" LONG	1

# **INSTALLATION INSTRUCTIONS**

## **Fixture Installation**

***Note: the WODS Outdoor Shower is to be mounted on a flat, level surface (concrete or otherwise) with an adequate support structure and proper surface draining.***

***Note: refer to Carrier Rough-In Dimensions for locating plumbing connections.***

- 1.) Install service shut-off valve in water supply line (valve not furnished).
- 2.) Locate and install shower using 1/2"-13 x 4" stainless steel anchors (anchors not furnished).
- 3.) As noted previously, flush the water supply line with clean water before making final connections to the shower valve assembly.
- 4.) Connect water supply line to the 3/8" push connector. (Water supply connection must comply with local codes.)
- 5.) Turn on water supply, and check the water supply lines (both from supplies to the valve assembly and from valve assembly to the shower heads) for any leaks or irregularities.
- 6.) Depress push button(s) to check that all shower heads are functioning correctly.
- 7.) Securely re-install access panel when complete.

## **CARE AND MAINTENANCE**

### **Unit Care**

Willoughby Industries' WODS Outdoor Showers are not freeze resistant. The unit should be disconnected or shut off from the water supply and drained during the colder months.

In order to ensure adequate flow and cleanliness of water, the checkstop strainer in the valve assembly should be cleaned or replaced regularly. New strainers can be ordered from Willoughby.

---

### **Stainless Steel Care**

Stainless Steels are basically alloys of iron and chromium and are corrosion resistant. Stainless steel has a bright surface that is easy to clean and is free from oxides. Therefore, cleaning of stainless steel is relatively simple and easy if done on a regular basis.

Frequency of cleaning should depend on the rate at which the fixture becomes dirty. Remember that fresh (soft) deposits of all kinds are relatively easy to remove, while removing older (hard) deposits are much more difficult. Establish a cleaning SCHEDULE.

Routine cleaning should involve ordinary soap or detergent and water, applied with a sponge, brush or cloth. Baking soda, borax or any of several non-abrasive commercial cleansing agents can help hasten the cleaning action. After scrubbing, rinse THOROUGHLY and wipe dry.

DO NOT use common steel wool, scouring pads, scrapers, wire brushes, files or other steel tools to clean stainless steel. Such items will scratch the surface or leave small particles of iron imbedded in the surface, which will eventually rust and stain the surface - even appearing as if the stainless itself was rusting.

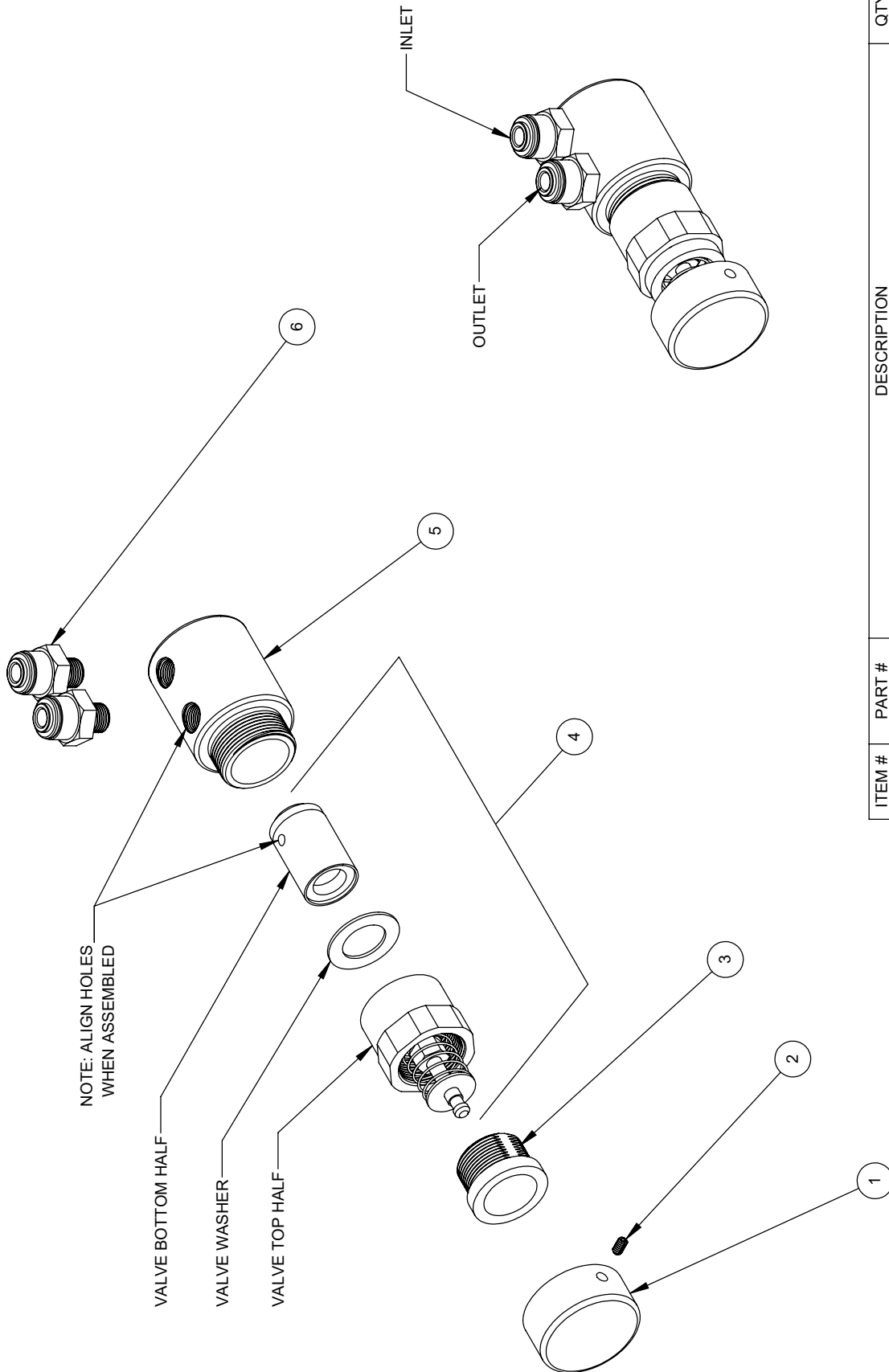
Certain chemical compounds, if used on stainless steel, can give the appearance of rust and if allowed to stand for long periods of time, can pit the surface of even stainless. Products containing hydrochloric acid, muriatic acid or potassium hydrochloride can ruin the surface.

## **TROUBLESHOOTING- WODS-Series**

### INSUFFICIENT FLOW

- A. Ensure the service shut-off valve is fully open (provided by installer).
- B. Ensure water supply is within the normal operating range of 40-60 psi.
  - 1. If pressure is too low, flow can be drastically reduced.
  - 2. If pressure is too high, the strainer and/or valve may have been damaged.
  - 3. The unit is rated for a maximum range of 30-105 psi.
- C. Inspect the unit's valve for damage, and replace if necessary.
- D. Inspect the shower valve assembly checkstop strainer(s) for damage and/or clogging, and clean or replace strainer as necessary.
- E. Check all fittings and tubing for damage and leaks. Replace components as necessary.

**DRAWING: Push Button Detail**



ITEM #	PART #	DESCRIPTION	QTY.
1	600351	PUSHBUTTON, WODS VALVE	1
2	600352	6/32 X .25" SET SCREW	1
3	600353	SLEEVE NUT, WODS, VALVE	1
4	600354	METERING CARTRIDGE, WODS VALVE	1
5	600355	VALVE BODY, WODS VALVE	1
6	600356	ADAPTER, 1/8" NPTF MALE X 1/4" TUBE PUSH-TO-CONNECT	2

## **WARRANTY**

Willoughby Industries, Inc. warrants to commercial and institutional purchasers only that each unit will be free from defects in workmanship and materials under normal use and service upon the following terms and conditions for a period of one (1) year from date of shipment.

This warranty does not cover installation or any other labor charges and does not apply to any components damaged by accident, abuse, improper installation or improper maintenance. This warranty does not cover any installation that did not comply with national, state and local building, plumbing or electrical codes. The warranty is limited to replacing or repairing at manufacturer's option, transportation charges prepaid by the purchaser, any component or part which upon our inspection shall be deemed as defective within the limitations of this warranty. The replacement or repair of defective units as stated in this warranty shall constitute the sole remedy of the purchaser and the sole liability of Willoughby Industries, Inc. Willoughby Industries, Inc. shall not otherwise be liable under any indirect damages caused by defects in the repair or replacement thereof.

This warranty only extends to commercial and industrial purchasers and does not extend to any others, including consumer customers of commercial institutional purchasers. This warranty is in lieu of all other warranties, expressed or implied, including implied warranty of merchantability or fitness for a particular purpose or otherwise.