

# Willoughby Stainless Fountains



## CWBF-2 Series Outdoor Bottle Filler w/Drinking Fountain

To specify fixture and options, use the Model Number and Options page.

Example: To specify a CWBF-2 outdoor bottle filler with drinking fountain with recessed pushbutton, child drinking fountain bowl height, and 316 stainless steel body/cap/flange in Blue color,

Use the following Willoughby Model Number: CWBF-2-RPB-CHD-316-BL

### Standard Features

- \* Adult and Child A.D.A. compliant
- \* Compliant to ADA reach height guidelines
- \* Quick, 1-gallon-per-minute bottle fill rate
- \* One-piece fully-welded construction
- \* Standard heavy duty type 304 stainless steel 8" Sched. 10 main column and 11 Ga. flange
- \* Optional marine-grade type 316 stainless steel body for installations near salt water
- \* Solid stainless steel vandal resistant anti-rotation bottle filler spout
- \* Solid stainless steel, anti-rotation drinking fountain bubbler
- \* High polished stainless steel bowl
- \* Replaceable in-line charcoal filter on inlet water supply
- \* Heavy-duty main column access panels
- \* Resistant to sunlight, heat, and vandalism
- \* Promotes use of environmentally friendly refillable bottles, reducing use of disposable bottles
- \* Powder coat finish (color options on page 2)

### Recommended Specifications

Outdoor bottle filler with drinking fountain shall be Willoughby Model No. **CWBF-2-\_\_\_** (see Model Number and Options guide for actuator selection).

Model **CWBF-2** outdoor bottle filler with drinking fountain shall be a dual-level, vandal resistant drinking fountain with 304 stainless steel 8" Sched. 10 main column and 11 Ga. flange.

Bottle filler spout and fountain bubbler shall be activated by separate recessed mounted solid stainless steel pushbutton assemblies (optional battery operated infrared activation available for bottle filler spout).

Drinking fountain shall have high-polished, 18 gauge stainless steel bowl with anti-rotation, anti-squirt, solid stainless steel bubblers.

All pushbuttons control lead-free, self-closing valves. Pushbutton operation shall require less than 5 lbs. of force.

Flow controls are used to ensure adequate flow without being wasteful. Bottle filler flows 1.0 GPM, drinking fountain flows 0.5 GPM.

Model **CWBF-2** fountain shall be lead-free, adhering to ANSI/NSF 61, Section 9, ANSI A117.1 and American Disabilities Act of 2010 requirements.

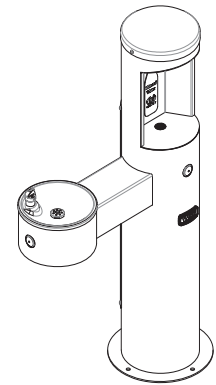
Optional 316 stainless steel body (main column, flange, and cap) are available for applications in which the unit's exterior may come into contact with salt water.

Optional mounting kit available for purchase consisting of stainless steel anchors, nuts, washers and rubber gasket washers. If optional kit is not used, stainless steel hardware recommended.

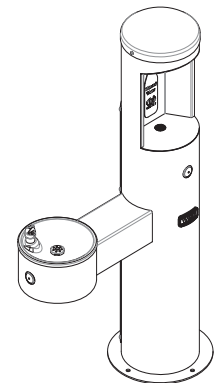


**WARNING:** Cancer and Reproductive Harm

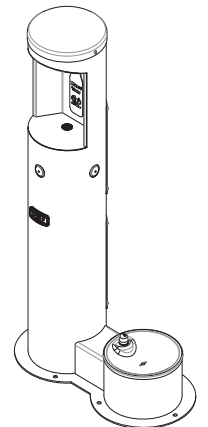
- [www.P65Warnings.ca.gov](http://www.P65Warnings.ca.gov)



CWBF-2-RPB-HC



CWBF-2-RPB-CHD



CWBF-2-RPB-PET

visit our website at [www.willoughbystainlessfountains.com](http://www.willoughbystainlessfountains.com)

5105 West 78th Street • Indianapolis, IN. 46268  
(317) 875-0830 • Fax: (317) 875-0837 • (800) 428-4065



MADE IN THE U.S.A.

# MODEL NUMBER AND OPTIONS:

## 1.) Outdoor Bottle Filler Type:

CWBF-2

## 2.) Bottle Filler Actuator Options (select one):

RPB Recessed Push Button  
 BO Battery Operated Infrared Sensor

## 3.) Drinking Fountain Bowl Height (select one):

HC Adult A.D.A.  
 CHD Child  
 PET Pet

## 4.) Options:

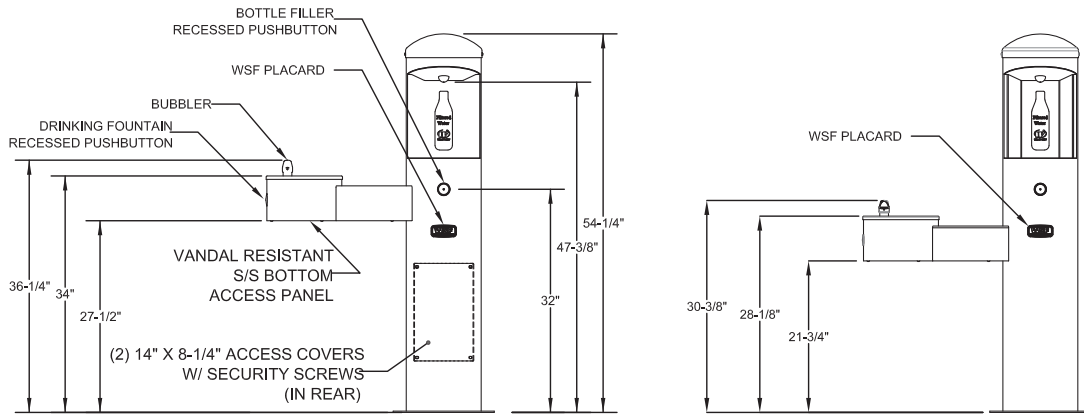
316-2 316 Stainless Steel Body, Double  
 CAR-1 Surface Carrier, Single  
 CAR-2 Surface Carrier, Double  
 SOV Shut Off Valve  
 SCV Seasonal Bowl Cover (1)  
 WSFMK4 4 Bolt Hole Mounting Kit  
 WSFMK6 6 Bolt Hole Mounting Kit

## 5.) Colors (select one):

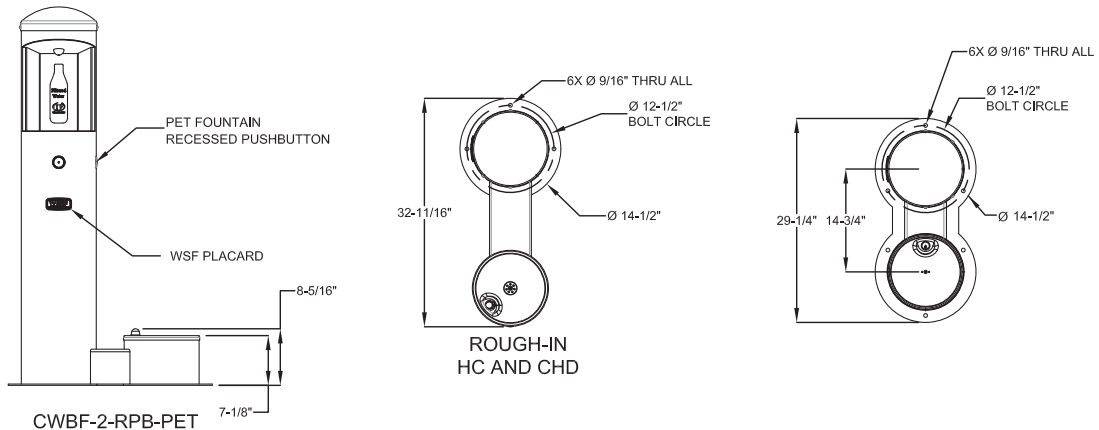
SL Silver  
 G Green  
 R Red  
 BL Blue  
 O Orange  
 V Violet  
 Y Yellow  
 BR Brown  
 BK Black  
 BE Beige  
 W White

Approved For Manufacturing By: \_\_\_\_\_ Date: \_\_\_\_\_ Company: \_\_\_\_\_  
 Wall Thickness: \_\_\_\_\_ Wall Type: \_\_\_\_\_

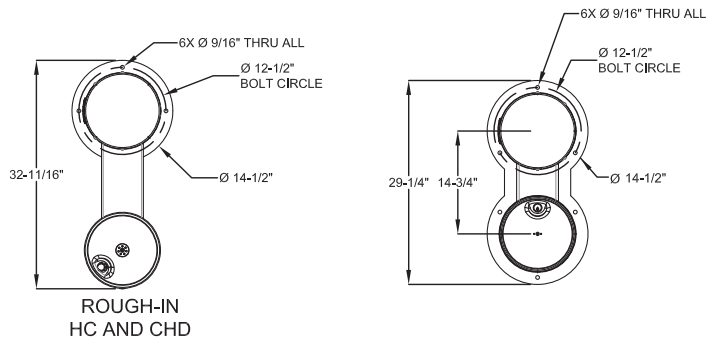
**VERIFY ALL DIMENSIONS WITH FACTORY PRIOR TO ROUGH-IN**  
 WILLOUGHBY RESERVES THE RIGHT TO MAKE CHANGES IN DESIGN AND DIMENSIONS WITHOUT FORMAL NOTICE AND WITHOUT INCURRING OBLIGATION.



CWBF-2-RPB-HC



CWBF-2-RPB-PET



ROUGH-IN  
 HC AND CHD

visit our website at [www.wiloughbystainlessfountains.com](http://www.wiloughbystainlessfountains.com)

5105 West 78th Street • Indianapolis, IN. 46268

(317) 875-0830 • Fax: (317) 875-0837 • (800) 428-4065



MADE IN THE U.S.A.